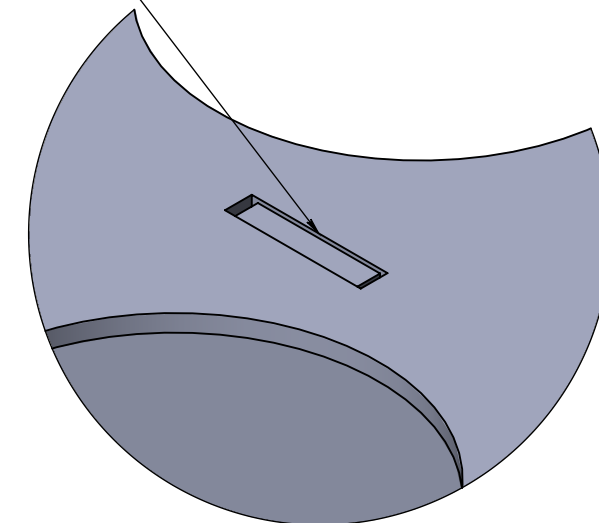
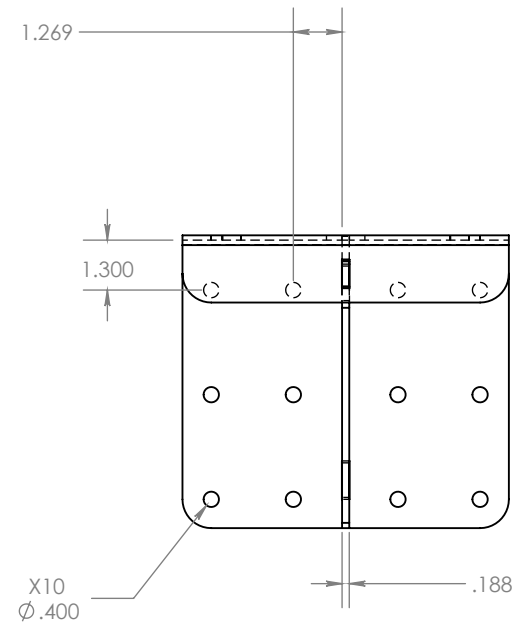
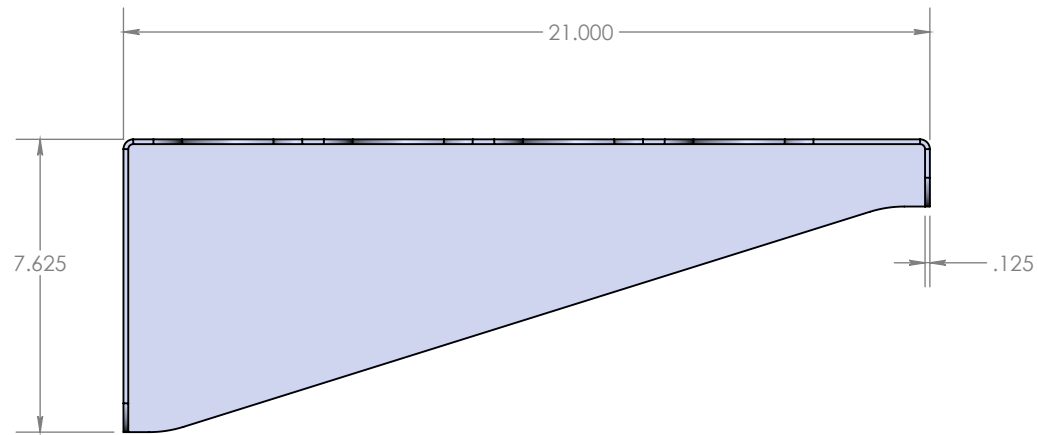


TABS RECESSED FOR WELDING AND GRINDING FLUSH



DETAIL A  
SCALE 1 : 1



Title: 8 Oar Sweep Cassette

Dimension are in inches and degrees

Materials

6061-T6 AL



RowAmerica

Scale: 1:10 02/20/2025