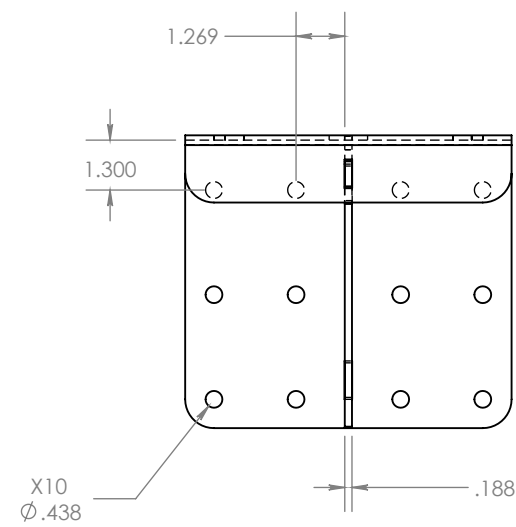
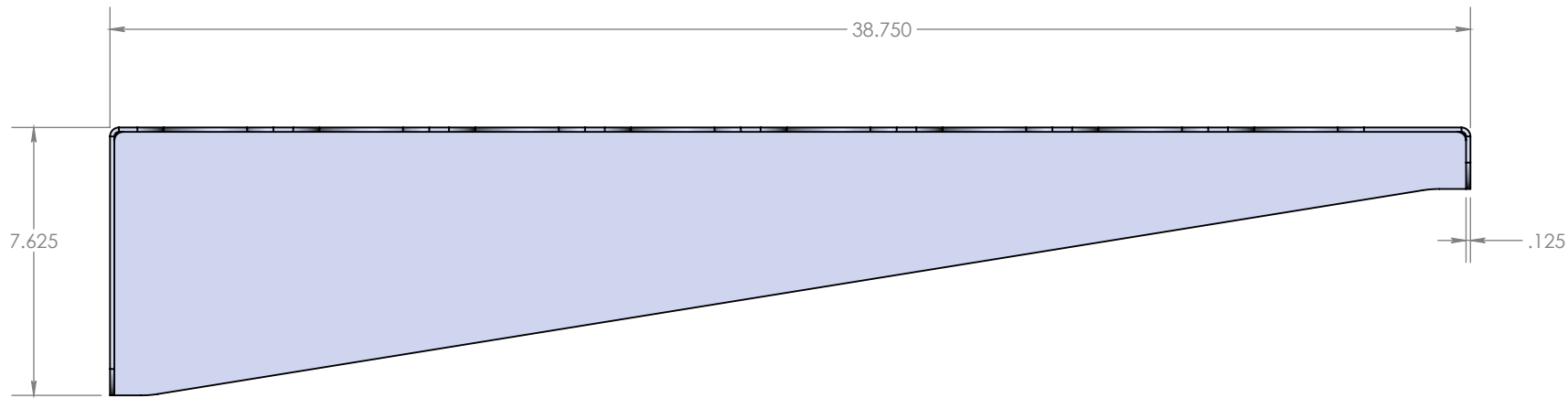
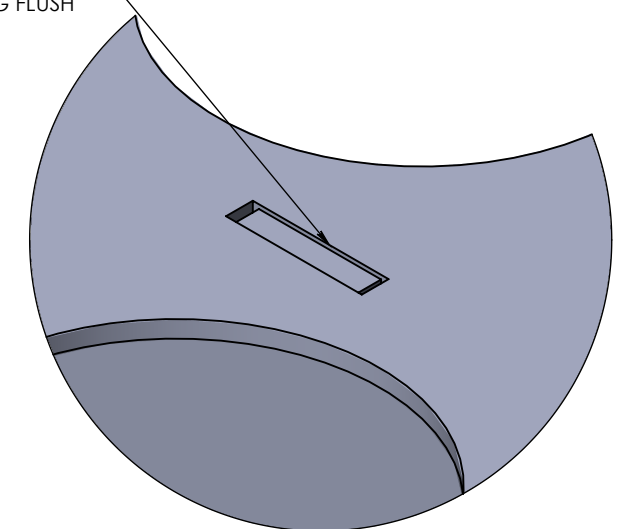


TABS RECESSED FOR WELDING AND GRINDING FLUSH



Title: 16 Oar Sweep Cassette

Dimension are in inches and degrees

Materials

6061-T6 AL



Scale: 1:10 02/20/2025