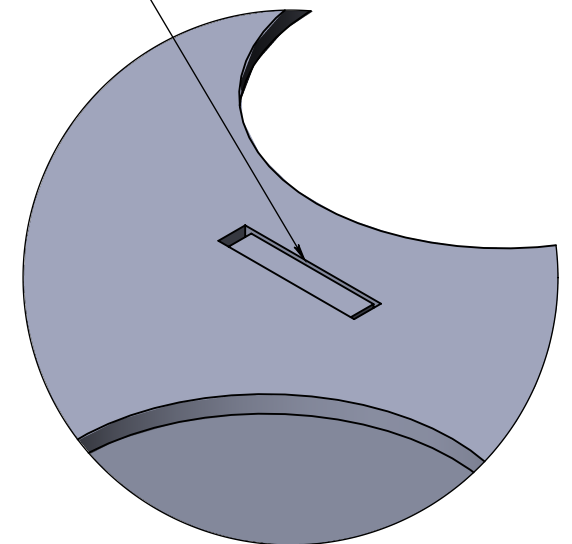
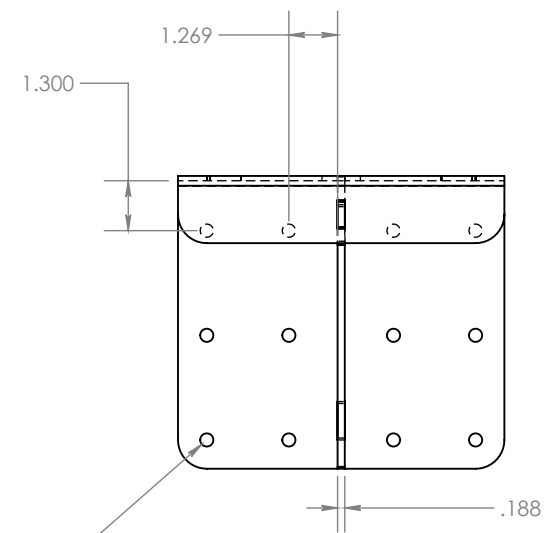
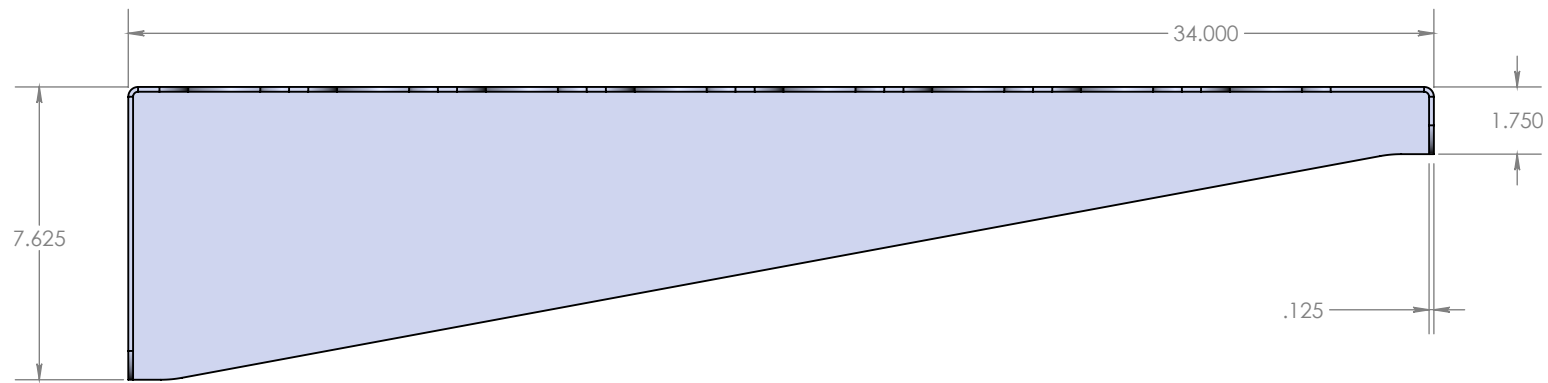


TABS RECESSED FOR WELDING AND GRINDING FLUSH



DETAIL B
SCALE 1 : 1



X8
Ø.344

Title: 16 Oar Sculling Cassette

Dimension are in inches and degrees

Materials
6061-T6 AL



Scale: 1:10 02/20/2025